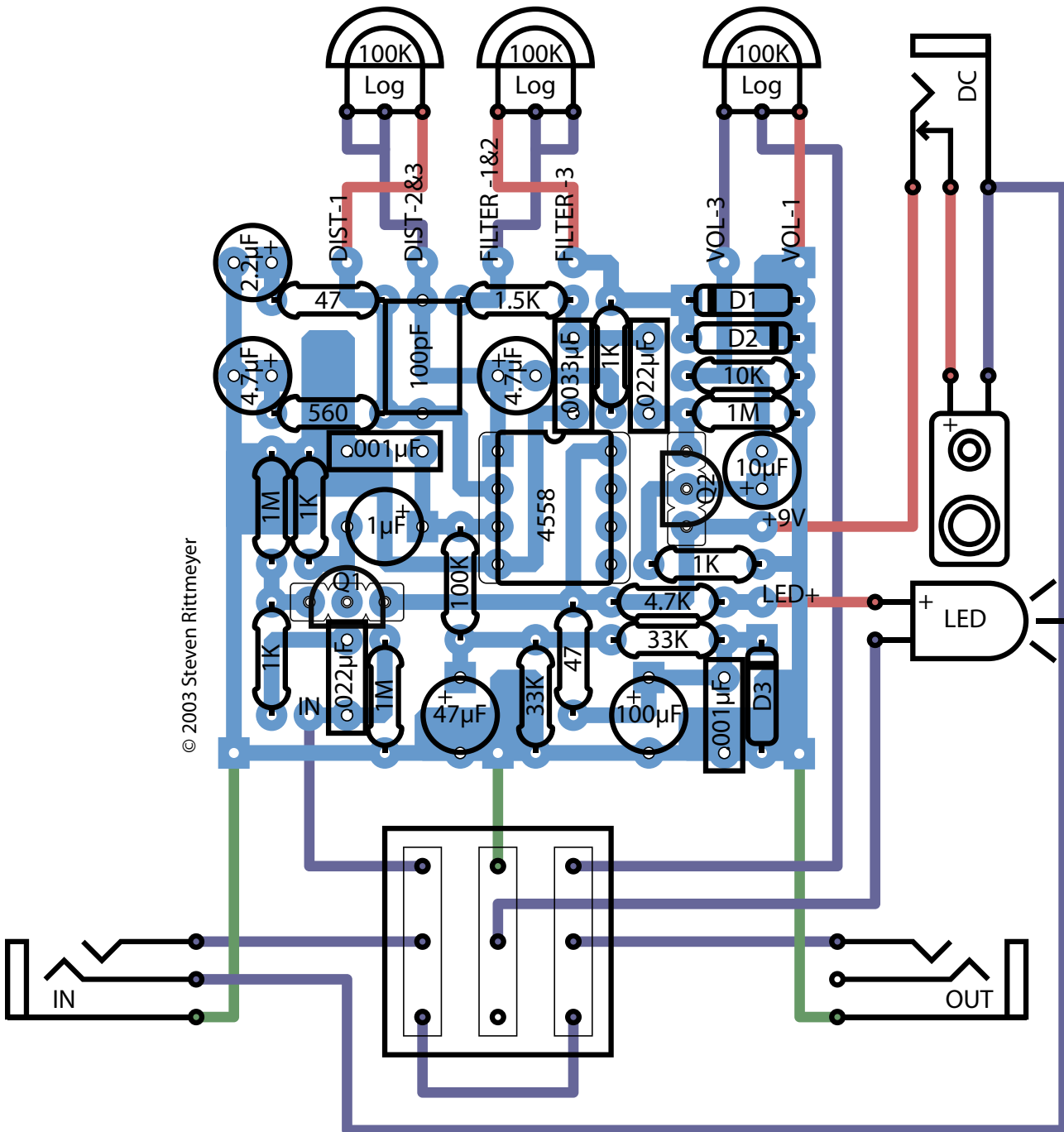
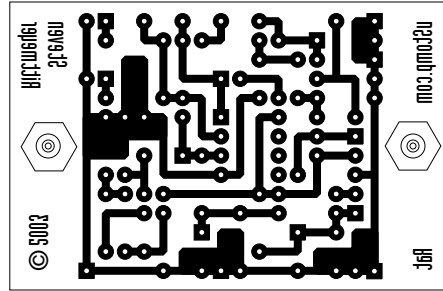




uStomp.com - Rat

My variation on the classic distortion pedal.
 I used a 4558 for the IC and BF245A's for the FET's.
 D1 and D2 should be 1N4148's and D3 should be a 1N4001.



© 2003 Steven Rittmeyer

Layout and presentation © 2003 Steven Rittmeyer.
 All rights reserved. Authorization for personal use only.
 Any commercial use is forbidden.
 Permission for posting/serving limited to <http://www.ustomp.com>
 Permission refused for serving from or posting to other sites.